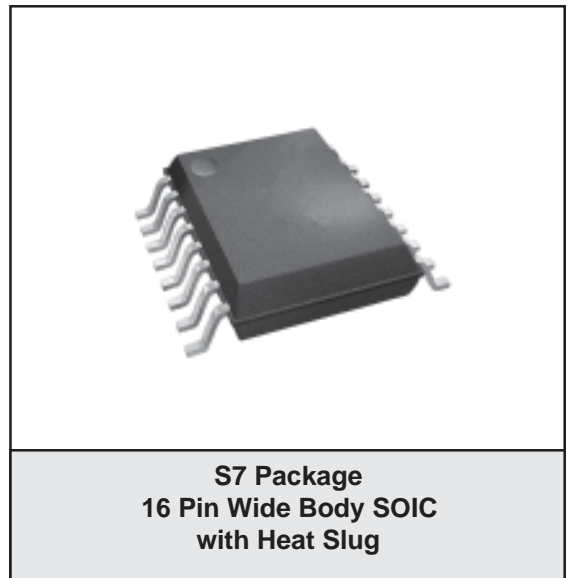


FEATURES

- 1 GHz Specified Performance
- Flat Gain
- Very Low Distortion
- Excellent Input/Output Match
- Low DC Power Consumption
- Good RF Stability with High VSWR Load Conditions
- Surface Mount Package Compatible with Automatic Assembly
- Low Cost
- Repeatability of Monolithic Fabrication
- Meets Cenelec S standard
- RoHS-Compliant Packaging



PRODUCT DESCRIPTION

The ACA0862 family of surface mount monolithic GaAs RF Linear Amplifiers has been developed to replace, in new designs, the standard CATV Hybrid amplifiers currently in use. The ACA0862 can also replace the ACA0861 with the addition of tuning capacitors to the output (see Figure 3). The MMICs consist of two parallel amplifiers, each with 12 dB gain. The Amplifiers are optimized for exceptionally low distortion and noise figure while providing flat gain and excellent input and output return loss. The

ACA0862B and ACA0862D are optimized for different output powers, and can be used separately or cascaded to support a variety of applications. A Hybrid equivalent is formed when two ACA0862 devices are cascaded between transmission line baluns. For low gain applications a single ACA0862 can be used; for higher gain applications more than two can be cascaded. See the ACA0861 application note for more information.

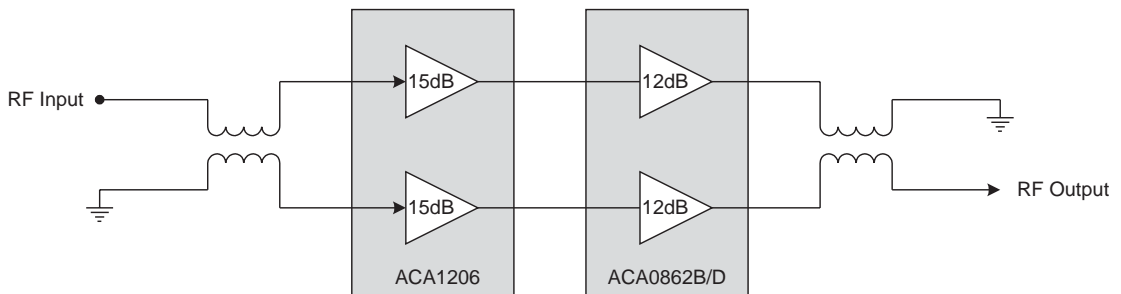


Figure 1: Hybrid Application Diagram

Output Stages

The ACA0862B and ACA0862D are designed as output stage amplifiers. These parts can be used alone for low gain, high output level applications or can be cascaded with an ACA1206 input stage amplifier for higher gain. The ACA0862B is a low power dissipation part, while the ACA0862D is a higher power dissipation part. Cascaded, an

ACA1206 and ACA0862B provide exceptional push-pull hybrid equivalent performance; an ACA1206 and an ACA0862D cascade provides exceptional power doubling hybrid equivalent performance. An ACA0862B can also be cascaded with an ACA0862D to create a power doubler with even better distortion performance.

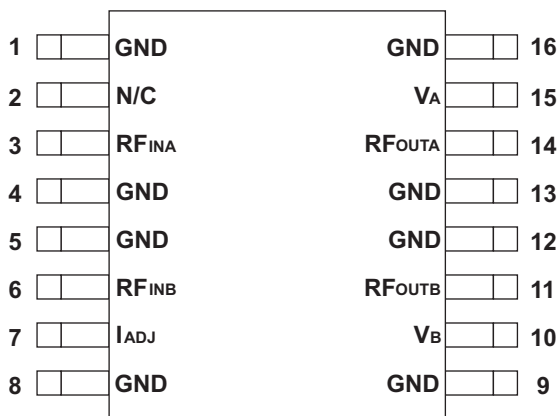


Figure 2: Pin Out

Table 1: Pin Description

PIN	NAME	DESCRIPTION	PIN	NAME	DESCRIPTION
1	GND	Ground	9	GND	Ground
2	N/C	No Connection	10	V _B	Supply for Amplifier B
3	RF _{INA}	Input to Amplifier A	11	RF _{OUTB}	Output from Amplifier B
4	GND	Ground	12	GND	Ground
5	GND	Ground	13	GND	Ground
6	RF _{INB}	Input to Amplifier B	14	RF _{OUTA}	Output from Amplifier A
7	I _{ADJ}	Current Adjust	15	V _A	Supply for Amplifier A
8	GND	Ground	16	GND	Ground

ELECTRICAL CHARACTERISTICS

Table 2: Absolute Minimum and Maximum Ratings

PARAMETER	MIN	MAX	UNIT
Amplifier Supplies (pins 10, 11, 14, 15)		+05	VD
RF Input Power (pins 3, 6)		+70	dBm
Storage Temperature	-60	+05	°
Soldering Temperature		+260	°
Soldering Time		50	se

Stresses in excess of the absolute ratings may cause permanent damage. Functional operation is not implied under these conditions. Exposure to absolute ratings for extended periods of time may adversely affect reliability .

Notes:

1. Pins 3 and 6 should be AC-coupled. No external DC bias should be applied.
2. Pin 7 should be pulled to ground through a resistor or left open-circuited. No external DC bias should be applied.

Table 3: Operating Ranges

PARAMETER	MIN	TYP	MAX	UNIT
RF Frequency	4-		1000	MH
Supply: V _D (pins 10, 11, 14, 15)		+12		VDC
Operating Temperature: T _A	-40		+05	°

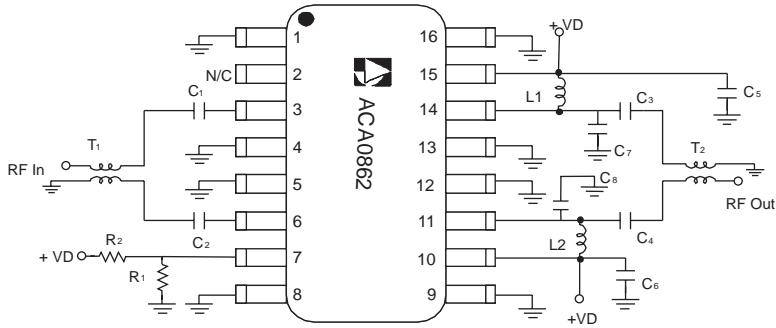
The device may be operated safely over these conditions; however , parametric performance is guaranteed only over the conditions defined in the electrical specifications.

Table 4: Electrical Specifications
($T_A = +25\text{ }^\circ\text{C}$, $V_b = +12\text{ VDC}$)

PARAMETER	ACA0862B			ACA0862D			UNIT	COMMENTS
	MIN	TYP	MAX	MIN	TYP	MAX		
Gain ⁽¹⁾	10.7	-	11.7	10.8	-	11.8	dB	
Gain Flatness ⁽¹⁾	--		± 0.3	--		± 0.3	dB	
Noise Figure ⁽¹⁾	-4		4-5		4	4.5	d	
CTB ^{(1), (2)} 77 Channels 110 Channels 128 Channels	-	-	-70	-	-	-78	dBc	
	-	-	-71	-	-	-73		
	-	-	-	-	-	-		
CSO ^{(1), (2)} 77 Channels 110 Channels 128 Channels	-	-	-68	-	-	-68	dBc	
	-	-	-66	-	-	-56		
	-	-	-	-	-	-		
XMOD ^{(1), (2)} 77 Channels 110 Channels 128 Channels	-	-	-65	-	-	-72	dBc	
	-	-	-68	-	-	-71		
	-	-	-	-	-	-		
Supply Current ⁽³⁾	-5	3.9	4.4		5.0	6.1	m	
Cable Equivalent Slope ⁽¹⁾	-0.5		1.5	-0.		1.5	d	
Return Loss (Input/Output) ⁽¹⁾	1.8	2-		1.8	2-		dB	
Thermal Resistance (θ_{jc})-		-	6-0		-	6.0	$^\circ\text{C/W}$	

Notes:

- (1) Measured with a balun on input and output of the device. See Figure 3 for test setup.
(2) "B" device measured with 79 analog channels, +47 dBmV output power at 1002 MHz with a 3 dB tilt and QAM to 1002 MHz. "D" device measured with 79 analog channels, +56 dBmV output power at 1002 MHz with a 15.6 dB tilt and QAM to 1002 MHz.
(3) A fixed resistor is needed (see Table 6) to set the devices' current draw. Bias voltage is +12 VDC.



Note: Apply voltage to both V_D lines simultaneously.

Figure 3: Test Circuit

Table 5: Parts List for Test Circuit

REF	DESCRIPTION	QTY	VENDOR	VENDOR PART NO.
C1, C2, C5, C6	0.01 μ F chip capacitor	4	Murata	GRM39X7R1103K25V
C3, C4	300 pF chip capacitor	2	Murata	GRM39X7R301K25V
C7, C8	1.5 pF chip capacitor	2	Murata	GRM1885C1H1R5C201B
L1, L2	390nH air-wound chip inductor	2	Coilcraft	1008CS-391
R1, R2	(see Table 6)	1		
T1, T2 ⁽¹⁾	ferri t te core		Fair-Rite	284300270
	wire		MWS Wire industrie	T-2361429-2

Notes:

(1) T1, T2 (balun) wind 5.5 turns thru core, as shown in Figure 4.

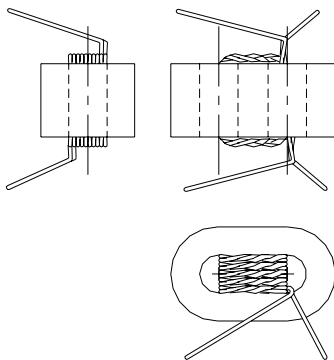


Table 6: R1 Resistor Value

PART NUMBER	R1 VALUE	R2 VALUE
ACA0862B	4.32 k Ω	(open)
ACA0862D	(open)	9.09 k Ω

NOTES:

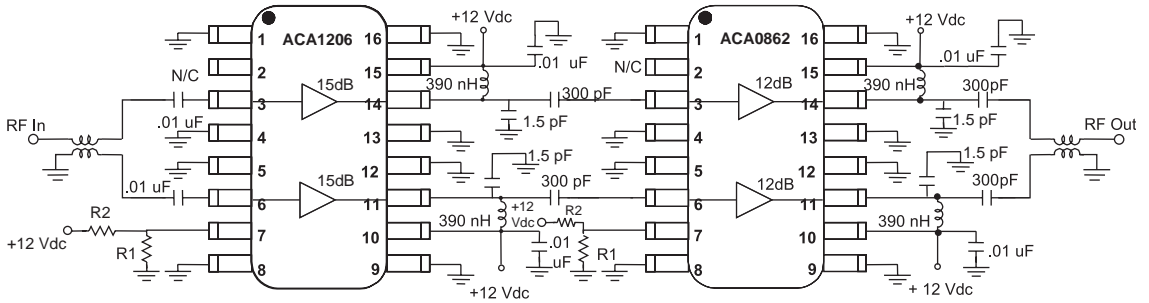
1. MATERIAL:

CORE: FAIR-RITE (2843002702)
 WIRE: MWS WIRE IND.
 T-2361429-20
 5.5 TIMES THRU AS SHOWN.

DIMENSIONS ARE IN INCHES

Figure 4: Balun Drawing (5.5 Turns)

APPLICATION INFORMATION



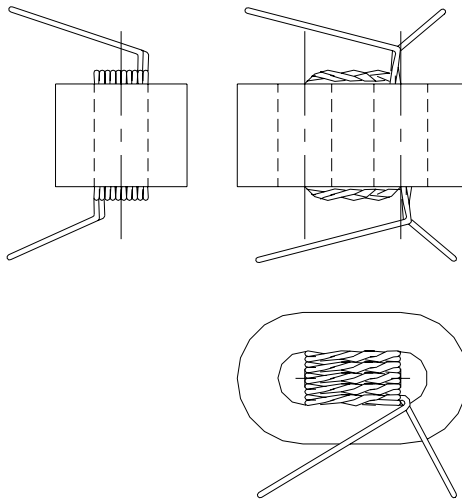
Notes:

1. Apply voltage to all +12 Vdc lines simultaneously .
2. See Table 6 for R1 and R2 values.
3. Input and output baluns: wind 5.5 turns thru core (see Table 7), as shown in Figure 6.

Figure 5: Hybrid Equivalent Test Circuit

Table 7: Parts List for Balun (5.5 Turns)

PART	VENDOR	VENDOR PART NO.
ferrite core	Fair-Rite	2843002702
wire	MWS Wire industries	T-2361429-20



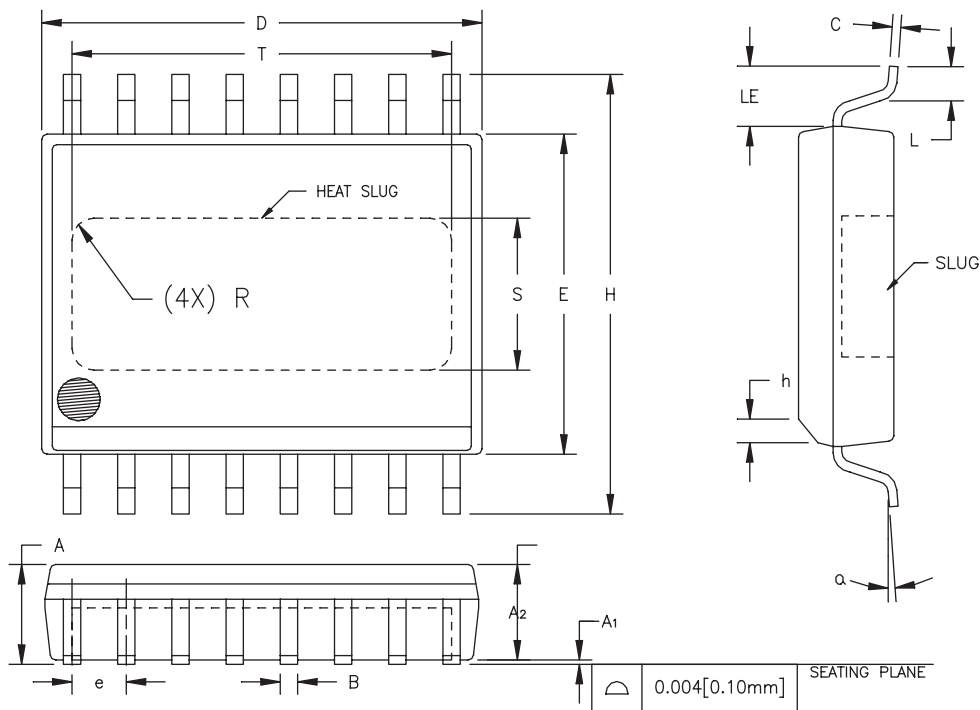
NOTES:

1. MATERIAL:
 CORE: FAIR-RITE (2843002702)
 WIRE: MWS WIRE IND.
 T-2361429-20
 5.5 TIMES THRU AS SHOWN.

DIMENSIONS ARE IN INCHES

Figure 6: Balun Drawing (5.5 Turns)

PACKAGE OUTLINE



SYMBOL	INCHES		MILLIMETERS		NOTE
	MIN.	MAX.	MIN.	MAX.	
A	0.087	0.098	2.21	2.49	
A ₁	0.000	0.004	0.00	0.10	6
A ₂	0.087	0.094	2.21	2.39	
B	0.013	0.019	0.33	0.48	
C	0.007	0.009	0.18	0.23	
D	0.398	0.412	10.11	10.46	2
E	0.290	0.300	7.37	7.62	3
e	0.050	BSC	1.27	BSC	4
H	0.394	0.418	10.01	10.62	
h	0.010	0.028	0.25	0.71	
L	0.024	0.040	0.61	1.02	
LE	0.052	—	1.32	—	
α	0°	8°	0°	8°	
S	0.120	0.140	3.05	3.56	5
T	0.330	0.350	8.38	8.89	5
R	REF.	0.015	REF.	0.38	5

NOTES:

1. CONTROLLING DIMENSION: INCHES
2. DIMENSION "D" DOES NOT INCLUDE MOLD FLASH, PROTRUSIONS OR GATE BURRS. MOLD FLASH, PROTRUSIONS AND GATE BURRS SHALL NOT EXCEED 0.006 [0.15mm] PER SIDE.
3. DIMENSION "E" DOES NOT INCLUDE INTER-LEAD FLASH OR PROTRUSIONS. INTER-LEAD FLASH AND PROTRUSIONS SHALL NOT EXCEED 0.010 [0.25mm] PER SIDE.
4. MAXIMUM LEAD TWIST/SKEW TO BE ±0.005 [0.13mm].
5. DIMENSIONS "S", "T" AND "R" INDICATE EXPOSED SLUG AREA.
6. STANDOFF HEIGHT (A₁) MEASURED FROM BOTTOM OF SLUG.

Figure 7: S7 Package Outline - 16 Pin Wide Body SOIC with Heat Slug

ORDERING INFORMATION

ORDER NUMBER	TEMPERATURE RANGE	PACKAGE DESCRIPTION	COMPONENT PACKAGING
ACA0862BRS7P2	-40 to 110 °	RoHS-Compliant 16 Pin wide Body SOIC with Heat Slug	1,500 piece tape and reel
ACA0862DRS7P2	-40 to 110 °	RoHS-Compliant 16 Pin wide Body SOIC with Heat Slug	1,500 piece tape and reel

**ANADIGICS, Inc.**

141 Mount Bethel Road
Warren, New Jersey 07059, U.S.A.

Tel: +1 (908) 668-5000

Fax: +1 (908) 668-5132

URL: <http://www.anadigics.com>

E-mail: Mktg@anadigics.com

IMPORTANT NOTICE

ANADIGICS, Inc. reserves the right to make changes to its products or to discontinue any product at any time without notice. The product specifications contained in Advanced Product Information sheets and Preliminary Data Sheets are subject to change prior to a product's formal introduction. Information in Data Sheets have been carefully checked and are assumed to be reliable; however, ANADIGICS assumes no responsibilities for inaccuracies. ANADIGICS strongly urges customers to verify that the information they are using is current before placing orders.

WARNING

ANADIGICS products are not intended for use in life support appliances, devices or systems. Use of an ANADIGICS product in any such application without written consent is prohibited.